

Dual-screen AIO visitor management device P18 Instructions



Bozz Technology (Shenzhen) Co., Ltd.

Version:V1.0

Date:2021.05.13

Description of face recognition terminal P18



1. Application scenarios

It is suitable for office areas, hotels, administration, office buildings, schools, shopping malls, shops, communities, transportation, logistics, public services and management projects and other places that require personal verification.

2. Product characteristics

- Wide-dynamic binocular camera for live monitoring;
- Efficient infrared fill light;
- Optional QR code scanning window;
- Optional high-speed camera and fingerprint module;
- Optional NFC card reader, ID card reader, social security card reader;
- Support public network and LAN deployment mode, optional 4G communication module;
- Available in a variety of screen sizes
- The secondary screen can be rotated, and multi-angle face recognition

3. Product specification sheet

Integrated terminal for personal verification			
Product model		P18	
Screen	Size	10.1inch	15.6inch 7inch
	Resolution	15.6" (1920*1080) 7" (1024X600) 10.1" (1280*800)	
Camera	Type	RGB	infrared
	Resolution	2 Million Pixels	1.3 Million Pixels
	Aperture	F2.4	F2.4
	Focal length	3.0MM	3.0MM
	White balance	Automatic	Automatic
	Broad dynamics	Support	Support
	Vertical wide angle	88°	88°
	Horizontal wide angle	57°	57°
Basic specifications	Operating System	Android 7.1 BOZZ OS	
	CPU	3288 A17*4 Frequency1.8GHz & Mali T764 Optional: RK3399 A72*2+ A53*4 Frequency1.8GHz & Mail T864	
	SD	2G DDR+32G EMMC Optional: 4G DDR+16G/32G/64G EMMC	
	Device power	DC 12V/3A	
	Power consumption	24.1W Max	
	Relative Humidity	0%-90% (In the state of non-condensing water droplets)	
	Operating temperature	0°C ~ 45°C	
	Storage temperature	-20°C ~ 70°C	
	Usage environment	Indoor	
	Equipment Size	267mm*264.9mm*350.5mm	
Hardware	Identification method	Face/fingerprint/NFC/social security card/OCR/scan code	
	Port	USB Type-A *4	
		RJ45 LAN port*1	
		Micro-USB Debug port*1	
		DC Power port*1	
		3.5mm headphone port*1	

configuration		Support Micro TF card slot*1, maximum 64G
		HDMI*1 Optional
	Infrared fill light	Support
	White fill light	Support
Basic parameters	Speaker	2W*1
	WIFI	2.4G Support IEEE 802.11b/g/n
	Bluetooth	Support Bluetooth 2.1/3.0/4.0/4.2
code scanner(Optional)	Communication method	4G (Optional: Customized procurement required)
	Support categories	Support QR-code, barcode
	the distance of scanning code	2-18cm
Packaging parameters	Recognition speed	15times/s Max
	Weight	5.1Kg
	Size	445*335*334mm

4. P18 Illustration

①10.1 inch+10.1 inch:



② 10.1 inch+15.6 inch

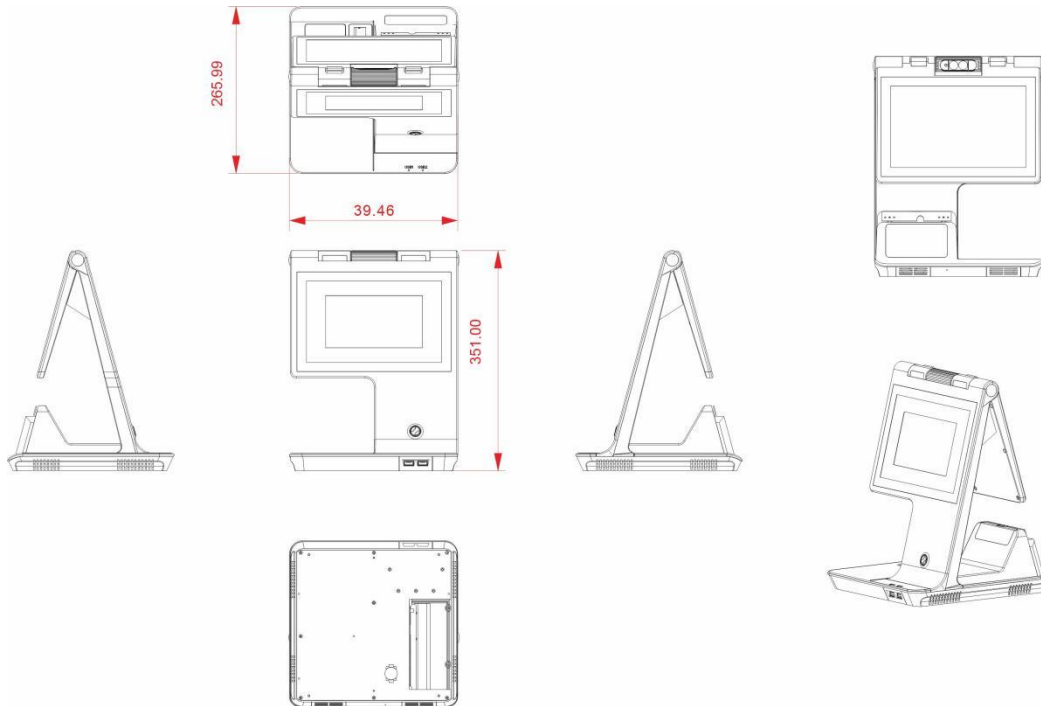


③ 7 inch+15.6 inch

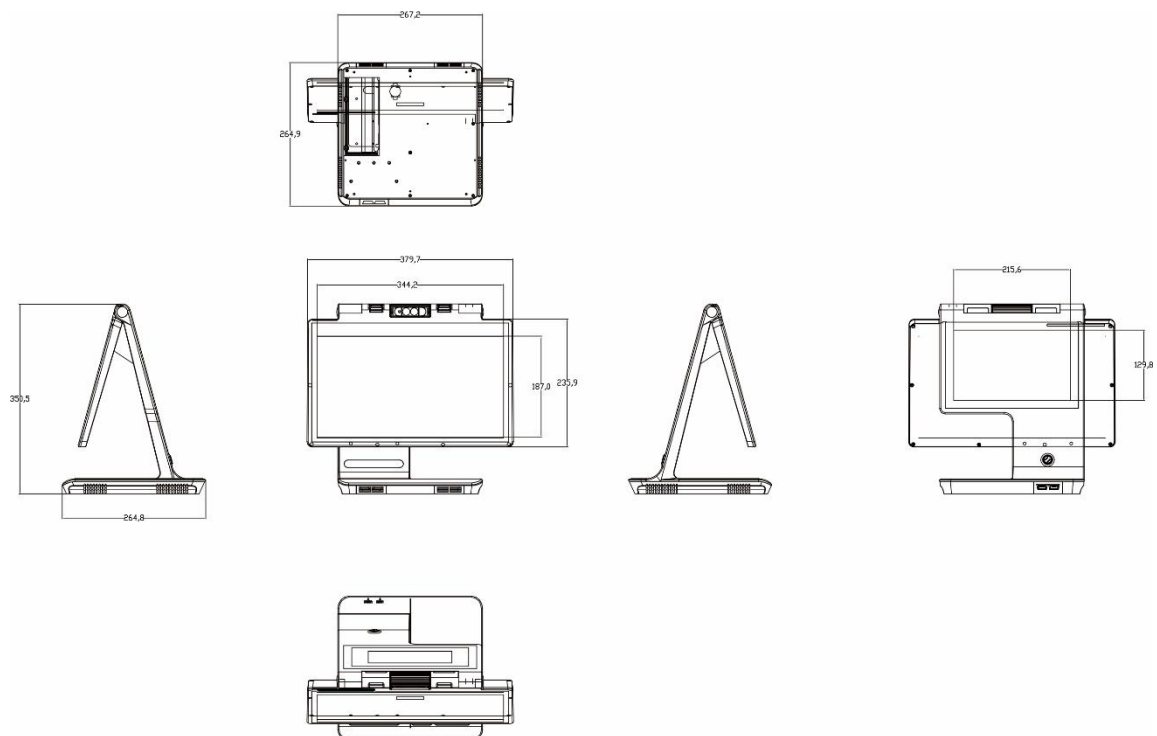


5. The Dimensions of P18

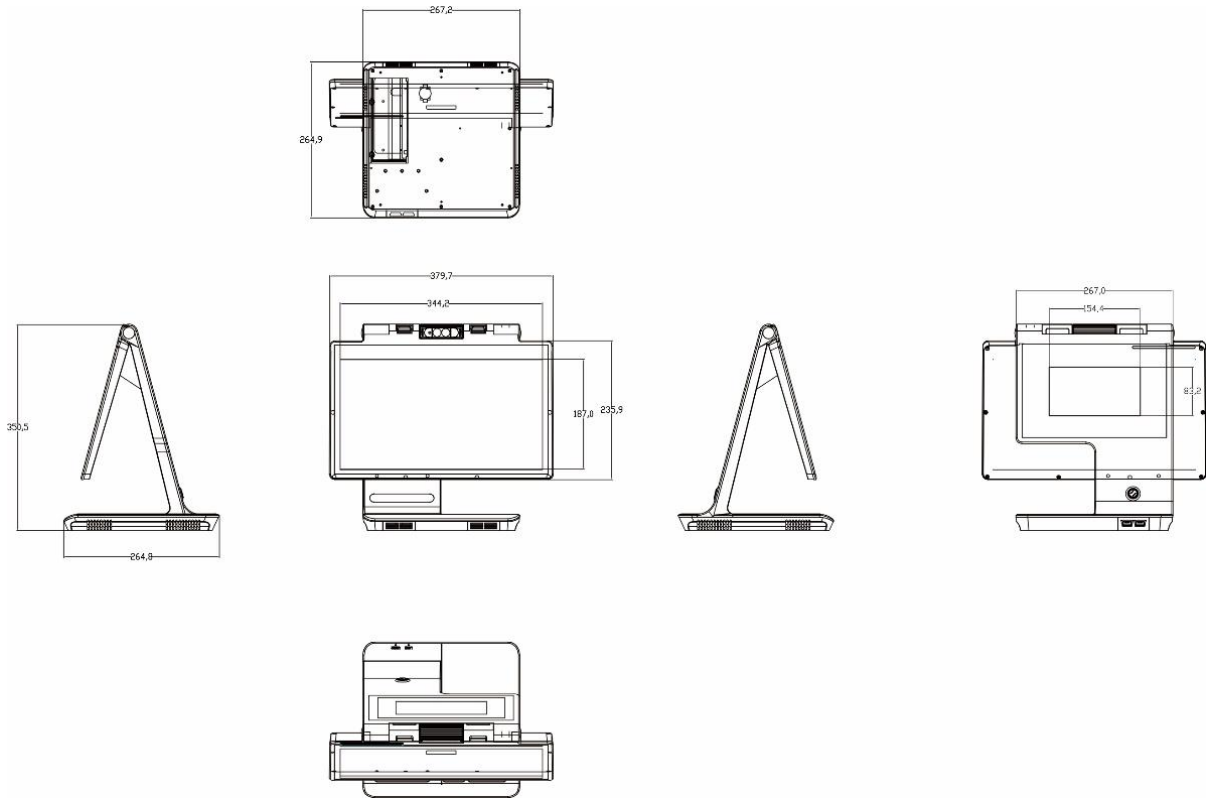
10.1 inch+10.1 inch appearance and size (267mm*264.9mm*350.5mm)



10.1 inch+15.6 inch Appearance and size (379.7mm*264.9mm*350.5mm)



7 inch+15.6 inch Appearance and size (379.7mm*264.9mm*350.5mm)

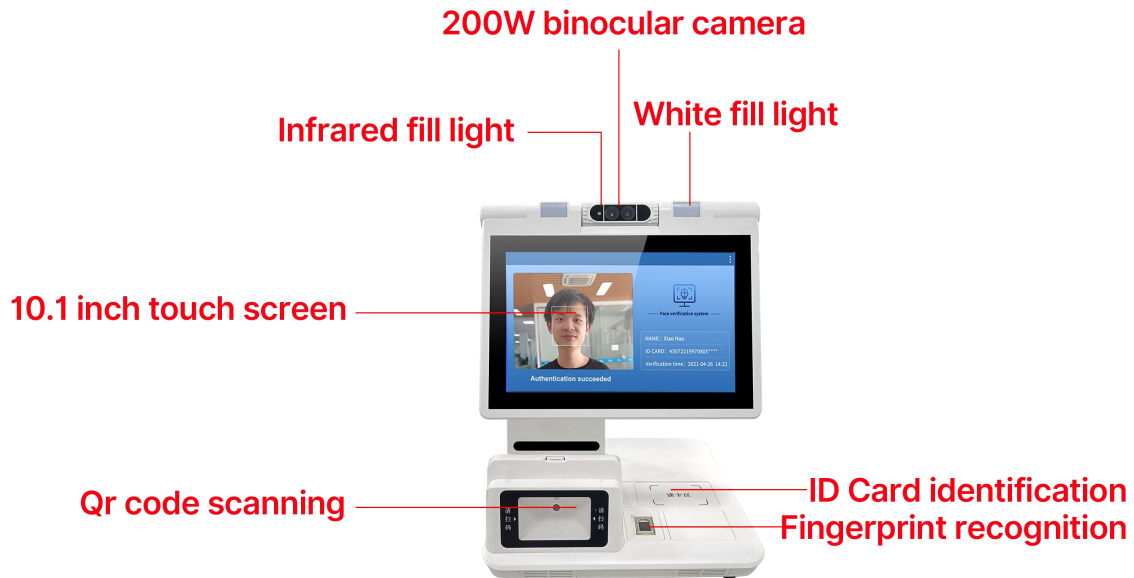


6. Indication of the appearance part

(—) P18 Description of the front part



(二) P18 Description of the back part



7. Product packaging and instructions for use

(一) List of materials/tools

No.	Materials/tools name	Quantity	Description
1	Main unit and built-in accessories	1	Built-in accessories include: 12V power adapter, desiccant, inspection certificate, warranty card, etc.
2	Network cable (optional: need to be purchased)	Several	Used to route Ethernet and other remaining traces
3	Network cable clamps, network testers, diagonal pliers, electrical tape, wire buckles (optional: need to be purchased)	Several	Used to route Ethernet and other remaining traces

8. Installation considerations

1、 In actual wiring, if the 12V power supply line of the host does not use a "dedicated power extension cable" and the distance is long, resulting in excessive equivalent resistance of the cable, it is prone to abnormal phenomena such as insufficient terminal voltage ($\leq 11V$), repeated restart of

the host, and crash.

2、 The installation environment must not be humid, avoid strong electricity and strong electromagnetic field. For example, electromagnetic appliances, mobile phones and other electrical appliances that can be moved at will should be as far away from the equipment as possible.

3、 This product is a precision device to avoid collision, drop, vibration, so as to avoid the motherboard device falling off or the camera internal damage, resulting in functional problems or performance problems of the product.

4、 The device comes with a power adapter as shown in the picture, with a total length of 1.8 meters.

The extension of the power cord should not exceed 3 meters, otherwise it will cause insufficient voltage power supply on the host side of the device, and abnormal phenomena such as repeated restart and crash will occur.

If other adapters are used, such as 9V and 1A, insufficient voltage and too little current will cause the device to restart repeatedly.

The cable used should not be too thin (such as a thin network cable), it is recommended to connect multiple strands of the same cable in parallel or use a cable with a thickened copper core to ensure that the voltage > 11V.

Note: If you use a network cable, use 4 strands of network cable as the positive pole and 4 strands as the negative pole for the extension cable.

If you are not sure how to extend it, contact the vendor to replace the "dedicated power supply extension cable".